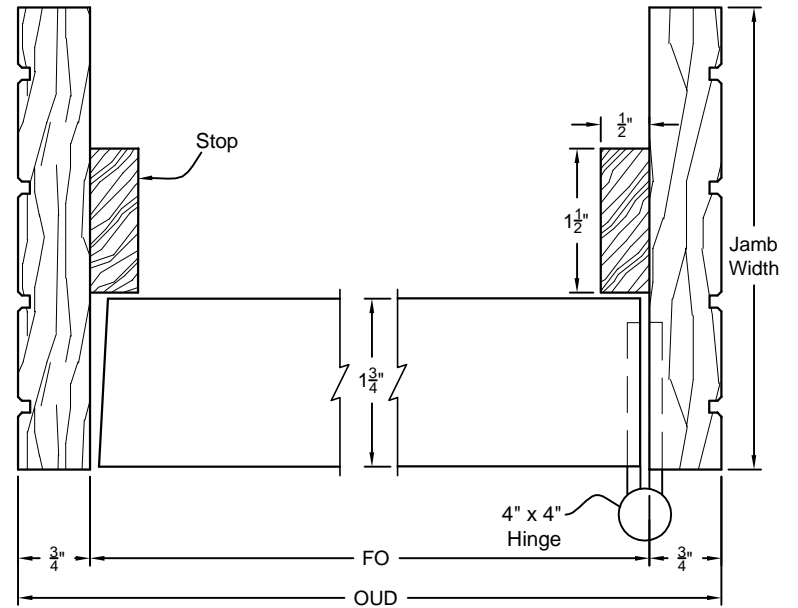


TYP. HEAD & SILL DETAIL SECTION  
INTERIOR DOOR



TYP. JAMB DETAIL SECTION  
INTERIOR DOOR



LIBERTY VALLEY DOORS  
INCORPORATED  
P.O. BOX 176, COTATI, CA 94931  
TEL. (707) 795-8040  
FAX (707) 795-9258

TYPICAL INTERIOR DOOR  
SECTION DETAILS

Date: 12/05/07

Revisions



Scale: Half

Drawn By:

RP